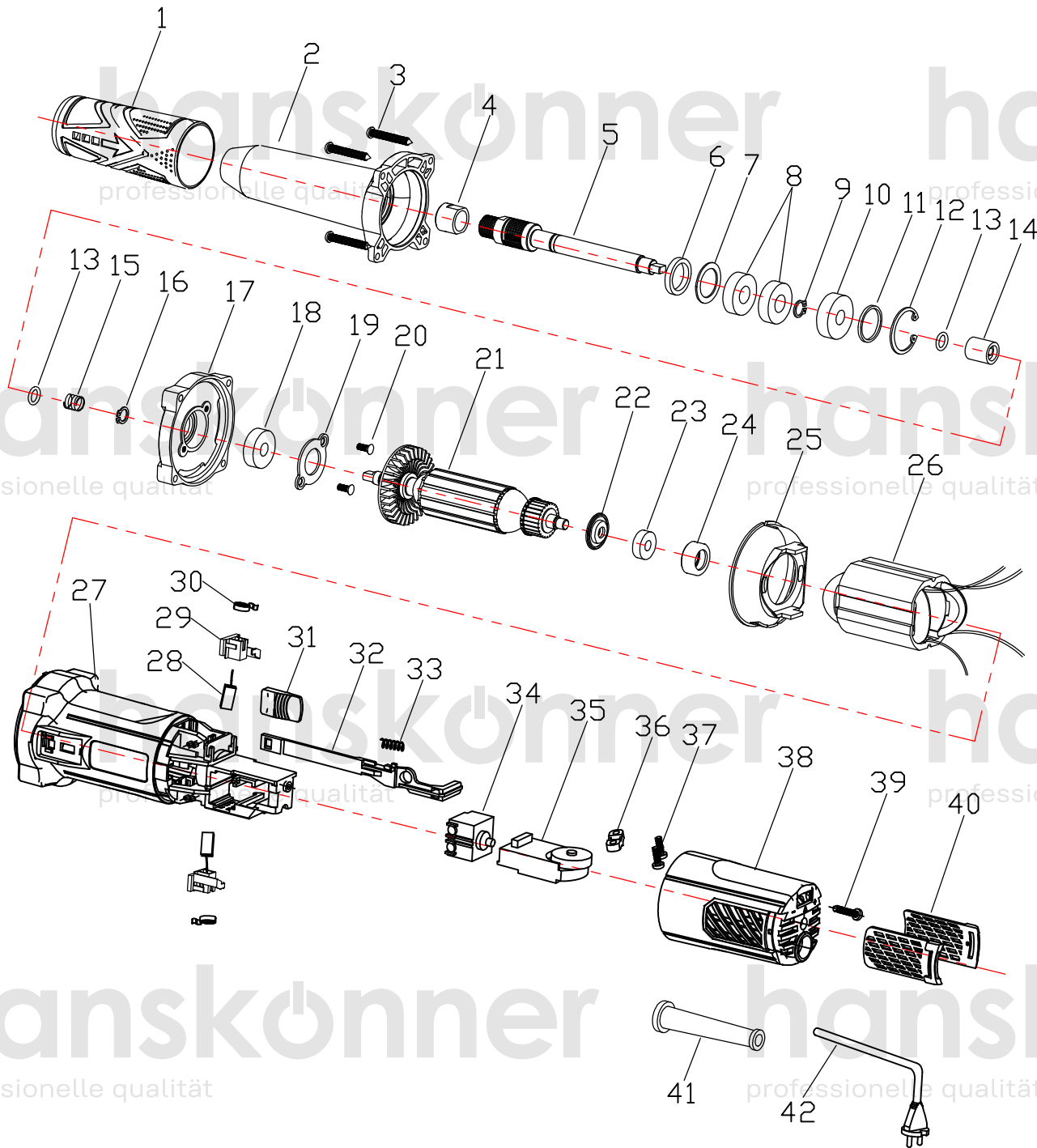


HGD0665



NO.	DESCRIPTION
1	RUBBER SLEEVE
2	ALUMINUM FRONT TUBE
3	SCREW K4*28
4	COLLET NUT
5	OUTPUT SPINDLE
6	WOOL WASHER
7	SHIM
8	BEARING 6001
9	CIRCLIP
10	BEARING 6200
11	O-RING
12	CIRCLIP
13	O-RING
14	CONNECTING SLEEVE
15	SPRING
16	CIRCLIP
17	MIDDLE COVER
18	BEARING 629
19	BEARING COVER
20	SCREW 4*10
21	ARMATURE
22	DUST RING
23	BEARING 607
24	BEARING SLEEVE
25	WIND SHIELD
26	STATOR
27	HOUSING
28	CARBON BRUSH
29	BRUSH HOLDER
30	COIL SPRING
31	SWITCH PUSH BUTTON
32	SWITCH PUSH ROD
33	SWITCH PUSH SPRING
34	SWITCH
35	SPEED CONTROLLER
36	CRIMPING BOARD
37	SCREW 4*14
38	BACK COVER
39	SCREW 4*14
40	INSERTS PIECE
41	SHEATH
42	CABLE

HGD0665-EX-RUS230327